



ADVANCED GCE
MATHEMATICS (MEI)
 Mechanics 3

4763

Candidates answer on the Answer Booklet

OCR Supplied Materials:

- 8 page Answer Booklet
- Graph paper
- MEI Examination Formulae and Tables (MF2)

Other Materials Required:

None

Wednesday 21 January 2009
Afternoon

Duration: 1 hour 30 minutes



INSTRUCTIONS TO CANDIDATES

- Write your name clearly in capital letters, your Centre Number and Candidate Number in the spaces provided on the Answer Booklet.
- Use black ink. Pencil may be used for graphs and diagrams only.
- Read each question carefully and make sure that you know what you have to do before starting your answer.
- Answer **all** the questions.
- Do **not** write in the bar codes.
- You are permitted to use a graphical calculator in this paper.
- Final answers should be given to a degree of accuracy appropriate to the context.
- The acceleration due to gravity is denoted by $g \text{ m s}^{-2}$. Unless otherwise instructed, when a numerical value is needed, use $g = 9.8$.

INFORMATION FOR CANDIDATES

- The number of marks is given in brackets [] at the end of each question or part question.
- You are advised that an answer may receive **no marks** unless you show sufficient detail of the working to indicate that a correct method is being used.
- The total number of marks for this paper is **72**.
- This document consists of **8** pages. Any blank pages are indicated.

- 1 (i) Write down the dimensions of force and density (which is mass per unit volume). [2]

The viscosity, η , of a fluid is defined by the equation

$$F = \frac{\eta A(v_2 - v_1)}{d}$$

where F is the force acting over an area A , and v_1, v_2 are the velocities at two points a distance d apart in the fluid.

- (ii) Find the dimensions of viscosity. [3]

- (iii) When a sphere of radius a and density ρ falls through a fluid with viscosity η , it reaches a terminal velocity v given by $v = \frac{2a^2\rho g}{9\eta}$. Show that this formula is dimensionally consistent. [3]

The Reynolds number, R , for the flow of fluid round an obstruction of width w is a dimensionless quantity given by

$$R = \rho w^\alpha v^\beta \eta^\gamma$$

where v is the velocity of the flow, ρ is the density of the fluid and η its viscosity.

- (iv) Find the values of α , β and γ . [5]

A designer is investigating the flow of air round an aircraft of width 25 moving with velocity 150, at a height where the air has density 0.4 and viscosity 1.6×10^{-5} (all in SI units). A scale model of the aircraft, with width 5, is used in a wind tunnel at ground level, where the air has density 1.3 and viscosity 1.8×10^{-5} . The Reynolds number for the model must be the same as that for the full-sized aircraft.

- (v) Find the velocity of flow required in the wind tunnel. [3]

3

- 2 (a) Fig. 2 shows a light inextensible string of length 3.3 m passing through a small **smooth** ring R of mass 0.27 kg. The ends of the string are attached to fixed points A and B, where A is vertically above B. The ring R is moving with constant speed in a horizontal circle of radius 1.2 m, AR = 2.0 m and BR = 1.3 m.

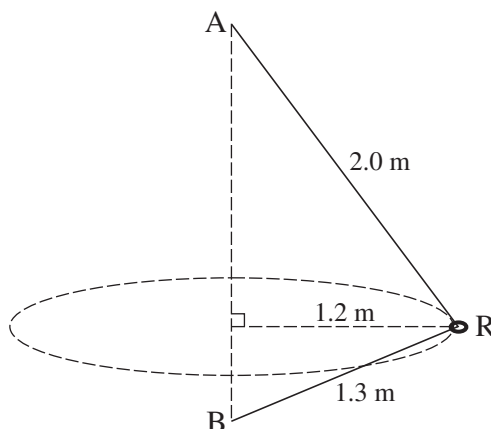


Fig. 2

- (i) Show that the tension in the string is 6.37 N. [5]
- (ii) Find the speed of R. [4]
- (b) One end of a light inextensible string of length 1.25 m is attached to a fixed point O. The other end is attached to a particle P of mass 0.2 kg. The particle P is moving in a vertical circle with centre O and radius 1.25 m, and when P is at the highest point of the circle there is no tension in the string.
- (i) Show that when P is at the highest point its speed is 3.5 m s^{-1} . [2]
- For the instant when the string OP makes an angle of 60° with the upward vertical, find
- (ii) the radial and tangential components of the acceleration of P, [6]
- (iii) the tension in the string. [2]

- 3** An elastic rope has natural length 25 m and modulus of elasticity 980 N. One end of the rope is attached to a fixed point O, and a rock of mass 5 kg is attached to the other end; the rock is always vertically below O.

(i) Find the extension of the rope when the rock is hanging in equilibrium. [2]

When the rock is moving with the rope stretched, its displacement is x metres below the equilibrium position at time t seconds.

(ii) Show that $\frac{d^2x}{dt^2} = -7.84x$. [4]

The rock is released from a position where the rope is slack, and when the rope just becomes taut the speed of the rock is 8.4 m s^{-1} .

(iii) Find the distance below the equilibrium position at which the rock first comes instantaneously to rest. [4]

(iv) Find the maximum speed of the rock. [2]

(v) Find the time between the rope becoming taut and the rock first coming to rest. [4]

(vi) State three modelling assumptions you have made in answering this question. [3]

- 4 (a) The region bounded by the x -axis and the semicircle $y = \sqrt{a^2 - x^2}$ for $-a \leq x \leq a$ is occupied by a uniform lamina with area $\frac{1}{2}\pi a^2$. Show by integration that the y -coordinate of the centre of mass of this lamina is $\frac{4a}{3\pi}$. [4]
- (b) A uniform solid cone is formed by rotating the region between the x -axis and the line $y = mx$, for $0 \leq x \leq h$, through 2π radians about the x -axis.
- (i) Show that the x -coordinate of the centre of mass of this cone is $\frac{3}{4}h$. [6]
[You may use the formula $\frac{1}{3}\pi r^2 h$ for the volume of a cone.]

From such a uniform solid cone with radius 0.7 m and height 2.4 m, a cone of material is removed. The cone removed has radius 0.4 m and height 1.1 m; the centre of its base coincides with the centre of the base of the original cone, and its axis of symmetry is also the axis of symmetry of the original cone. Fig. 4 shows the resulting object; the vertex of the original cone is V, and A is a point on the circumference of its base.

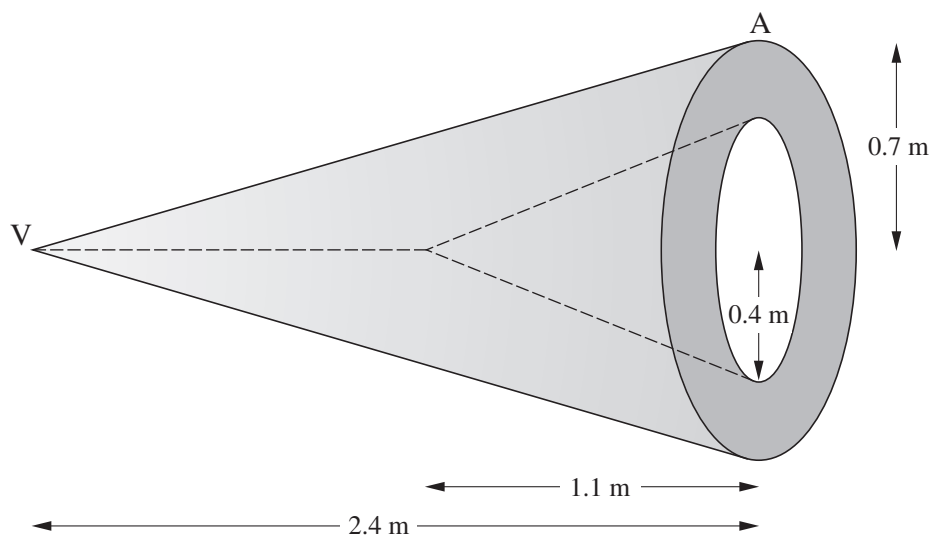


Fig. 4

- (ii) Find the distance of the centre of mass of this object from V. [5]

This object is suspended by a string attached to a point Q on the line VA, and hangs in equilibrium with VA horizontal.

- (iii) Find the distance VQ. [3]